

evr-green™ Home Charging Station Pre-Wire System

Prepares your home for easy, do-it-yourself installation of Leviton's evr-green Home Charging Stations



For 16A Chargers
Includes NEMA 6-20R Receptacle

Leviton introduces our ground-breaking Evr-Green™ Home Charging Station Pre-Wire System. An industry first, this revolutionary concept enables you to prepare your home **before** you purchase a new electric vehicle and home charging station, ensuring you'll be able to enjoy fast-charging from the moment you bring your new car home.

Once the appropriate Pre-Wire Kit is installed, all you will need to do to begin charging is to hang your Home Charging Station on the installed mounting bracket; plug it in, and you're ready to charge!

Features and Benefits

- Powder coated steel mounting bracket provides for simple, do-it-yourself installation
- Patent-pending system enables you to upgrade your charging station without the need to rewire
- Reduces the need for special electrical permits
- Can be used in new construction or retrofit applications
- UL Listed components ensure safety



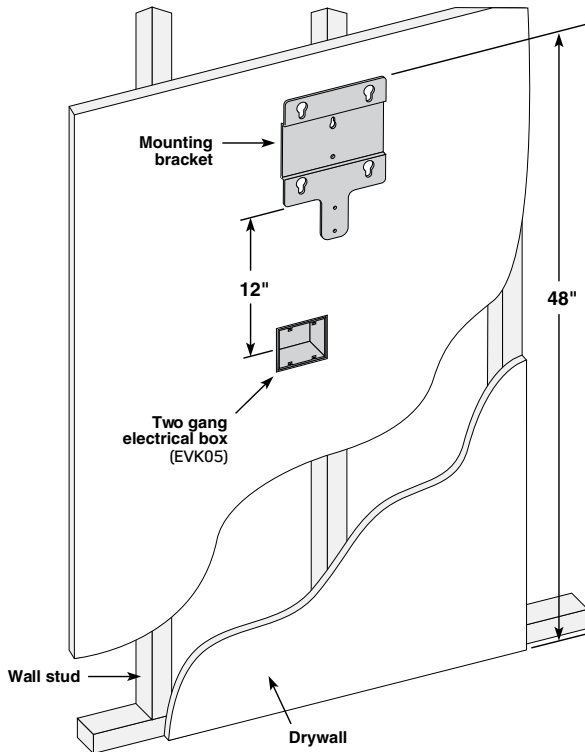
For 30A Chargers
Includes NEMA 6-50R Receptacle



Specifications

Electrical Specifications		
	EVK02-M	EVK05-M
Amperage	20A	50A
NEMA Configuration	6-20R	6-50R
Voltage	250V	
Pole	2	
Wire	3	
Material Specifications		
Mounting Bracket	Powder Coated Steel (CRS)	
Receptacle	See catalog for Leviton receptacle	
Safety Cover	Base: Valox / Cover: Polycarbonate	
Electical Box	Thermoplastic	
Standards & Certifications		
UL	Listed components	

Typical Installation



Kit Includes:

- Bracket
- Mounting Hardware
- Safety Cover
- Receptacle
- Mounting Template
- Installation Instructions
- Quick Install Guide
- Thermoplastic Electrical Box

Leviton Manufacturing Co., Inc.

201 N Service Rd, Melville, NY 11747

Leviton Manufacturing of Canada, Ltd.

165 Hymus Blvd, Pointe-Claire, QC H9R 1E9

Leviton S. de R.L. de C.V.

Lago Tana 43, Col. Huichapan, Miguel Hidalgo, CP 11290 México DF

For more information call - **1-877-338-7473** or visit us at leviton.com/evrgreen

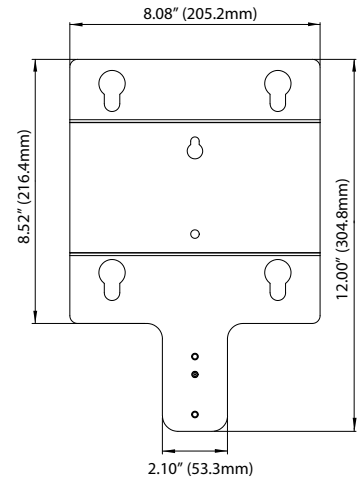
© 2011 Leviton Manufacturing Co., Inc. All rights reserved. Preliminary specifications; subject to change.

Ordering Information

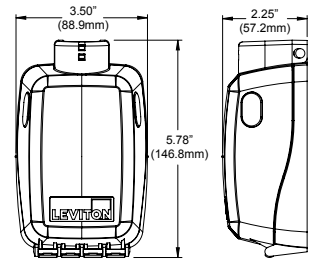
Cat. No.	Description	For Use With
EVK02-M	Leviton Installation Kit for Home Charging Station EVB22 (20A, 240V)	16A chargers
EVK05-M	Leviton Installation Kit for Home Charging Station EVB45 (50A, 240V)	30A chargers

Dimensions

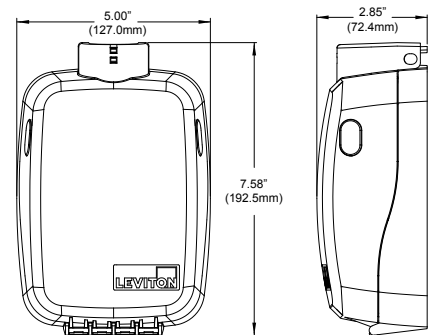
Single-Stud Bracket
Common to both
EVK02-M &
EVK05-M Kits



Safety Cover
for EVK02-M
(16A Charger)



Safety Cover
for EVK05-M
(30A Charger)



Q-544B