

Surge Protection & Power Conditioning Applications



www.Eaton.com

Case Study: Commercial/Industrial Facility

Surge Protection

Clipper Power System (CPS)



Clipper Power System (CPS): TVSS integrated & retrofit in MCCs, panelboards and switchboards

AEGIS



AEGIS surge filters: Provide protection for PLCs and other critical loads.

DATAKOM



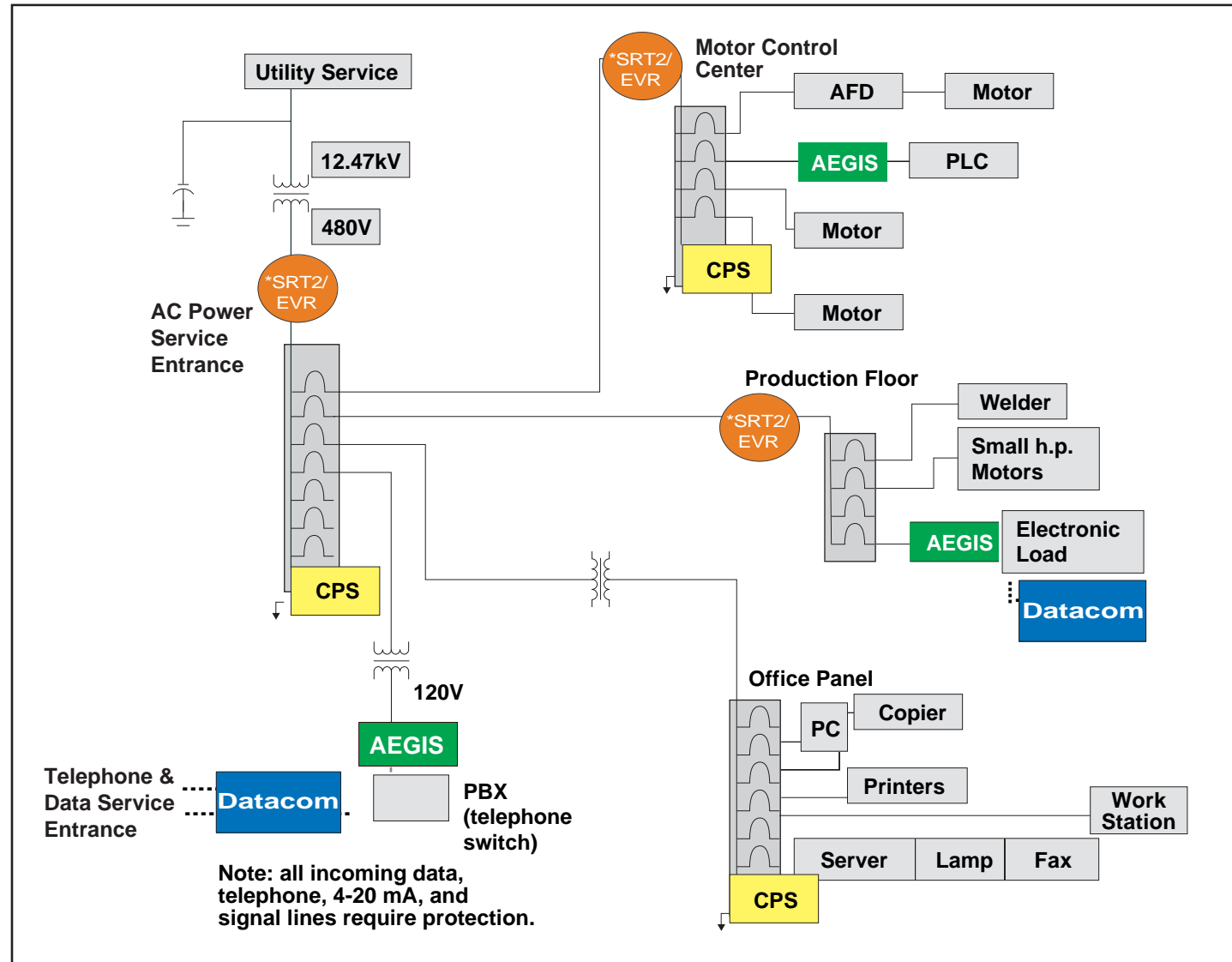
DATAKOM family of surge suppressors: For all telephone and data communication lines.

Power Conditioning

SRT2 or EVR



Sag Ride Through (SRT2) corrects voltage sags.
Electronic Voltage Regulator (EVR) corrects voltage regulation (brownout) problems.



The above illustration identifies possible locations for:

- Voltage sag correction or regulation solutions (power conditioners)
- AC surge protection
- Telephone, cable and data line surge protection

Cutler-Hammer offers the most comprehensive and effective facility-wide, power quality solutions.

SA.37.11C.S.E.

*** Note: These products can be applied either at the service entrance or a branch location**